

G304F Mini Sealed Micro Switch



■ Features

- Designed For Water and Dust Tight(IP67)
- Small Compact Size
- Long Life and High Reliability
- Variety of Levers
- Wide Range of Wiring Terminals
- Widely used in Automotive Electronics,Appliance and Industrial Control etc.
- Customized Designs
- Slide Structure
- Non Short Circuit Conversion

■ Application

- ◆ Car
- ◆ Air-Comditioner
- ◆ Communication
- ◆ Electric Tooth Brush
- ◆ Toys

■ Parameters

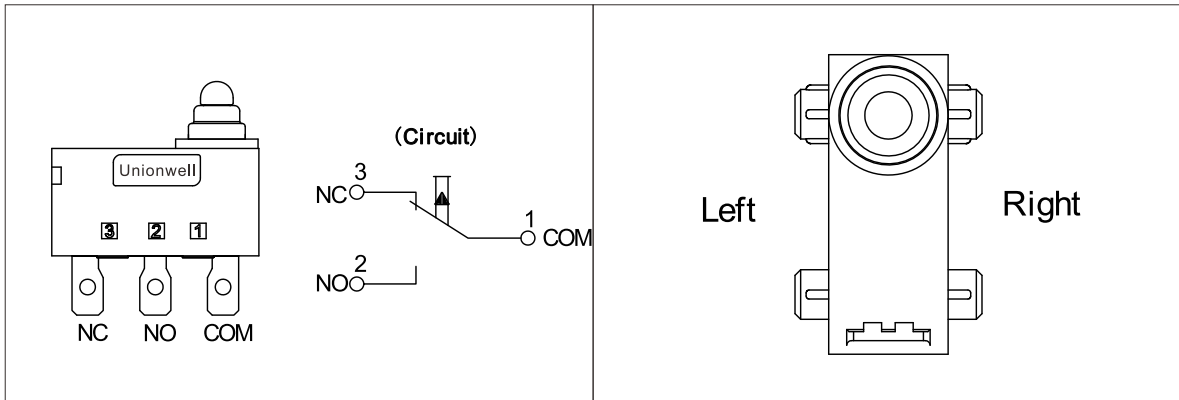
Operation Speed		1~500mm/s
Operating Frequency		120cycles /min
Insutation Resistance		≥100mΩ(DC500V)
Contact Resistance (Inital Value)	with terminals type	≤100mΩ
	with wire type	≤100mΩ(300mm length)
Voltage Resistance	Between terminals	AC500V,50/60Hz,1min.
	Between terminals and uncharged metal parts	AC1000V,50/60Hz,1min.
Vibration	No transformation action	10-55HZ
Service Life	Electrical	300000 cycles (20 cycles /min) 0.1A 12VDC 50 μA 3VDC
	Mechanical	300,000 cycles (30cycles /min)
Protection Level		IEC IP67
Storage Temperature		-40~+85° C 60%RH
Storage Humidity		95%RH(+5C~+35° C)

G304 F-Type Series Micro Switch Ordering Instruction

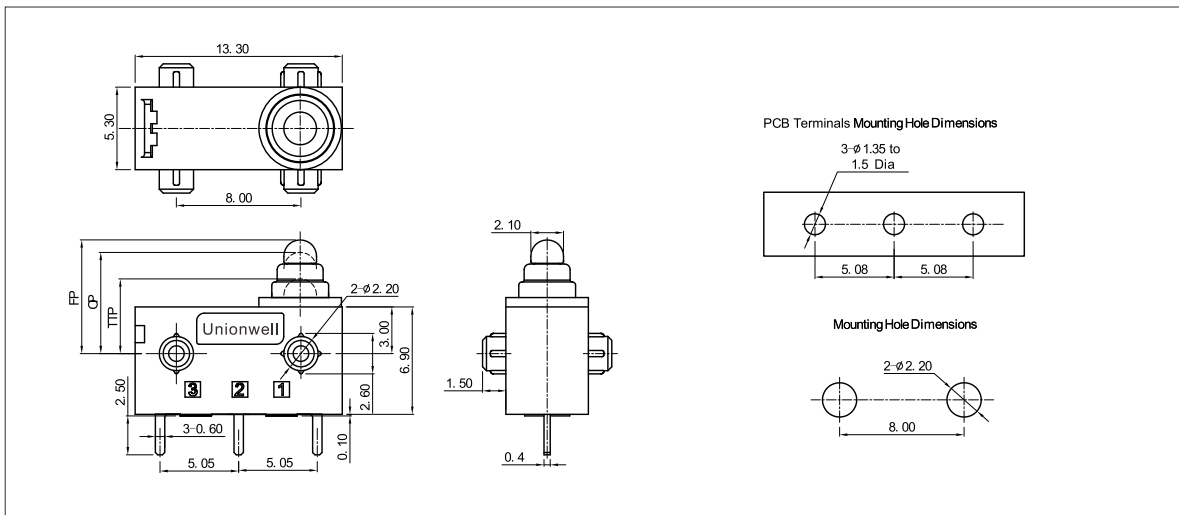
G3	04	150	P	00	E	39			G	A	280		
Switch Type	Electrical Rating	Overload Force at pin Plunger, Max.	Terminal Style	Lever Type	Circuit Code	Shape and Posts	Posts Dimension		AWG Type (for Wire type only)	AWG Number (For Wire type only)	Wire length	Special Designator	
G3 Series Micro Switch	04	0.1A12VDC 50mA3VDC	P	00	D	35			No molded lead wires	No molded lead wires	300mm length standard lead wires 300mm	S	
	04	0.1A12VDC 50mA3VDC	P	00	D	35			No molded lead wires	No molded lead wires	300mm length standard lead wires 300mm	S	
	---	Other											
			80	P	00	D	35	Standard posts:2.60mmx5.0mm					
			150	K	28	G	36	G ϕ 2.6X1.5mm posts.	E 20#	A UL1007	280	280mm length	B Molded lead wires on left side
			---	W	08	B	37	H ϕ 2.6X2.0mm posts.	F 22#	C UL1430	---	Other	C Molded lead wires on left side
						C	38	I ϕ 2.2X0.8mm posts.	G 24#	D UL1061			E Molded lead wires on Bottom
							46	K 7.3X1.2X1.2mm posts.	H 26#	E UL1330			---
							---		I 28#	F AVSS			
									J 30#	H UL1332			
									K 32#	G UL3132			
									L 34#	---	Other		
								---	Other				

■ **Circuit**

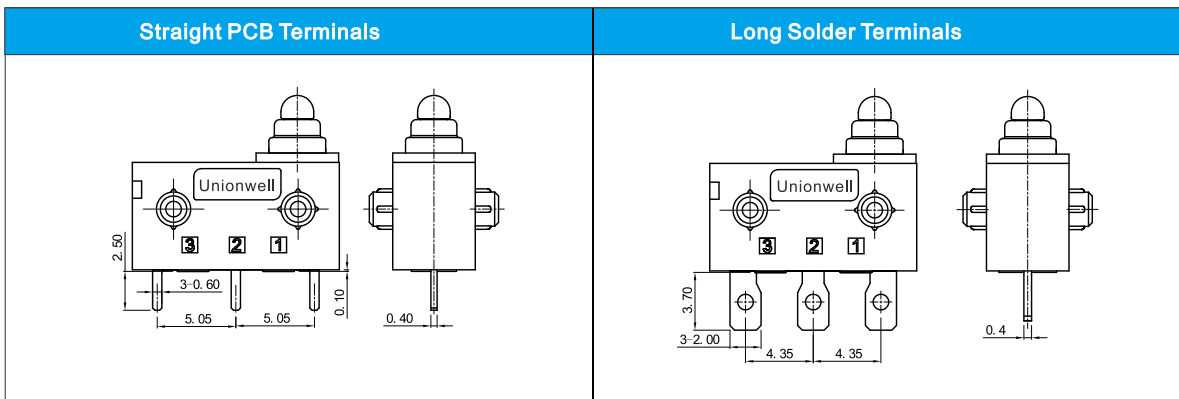
■ **Posts direction define**



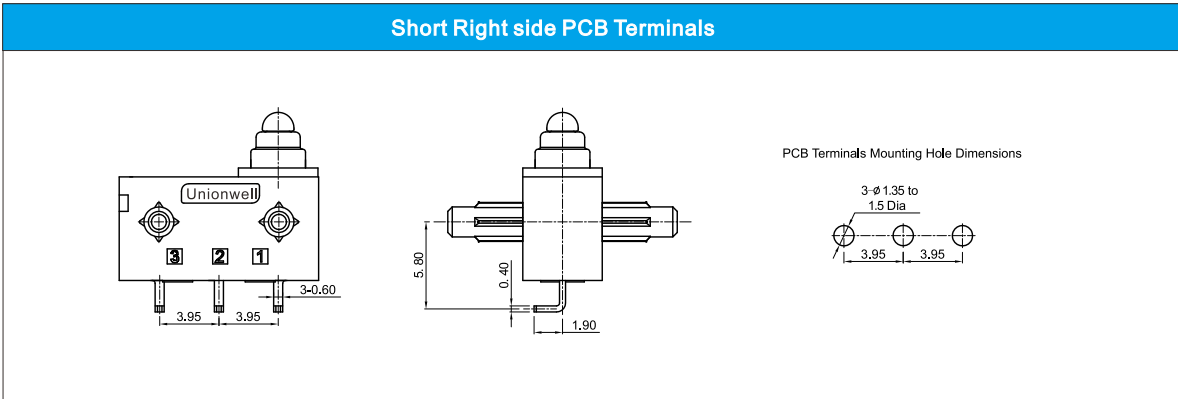
■ **Basic Mounting Dimensions and Operating Characteristics**



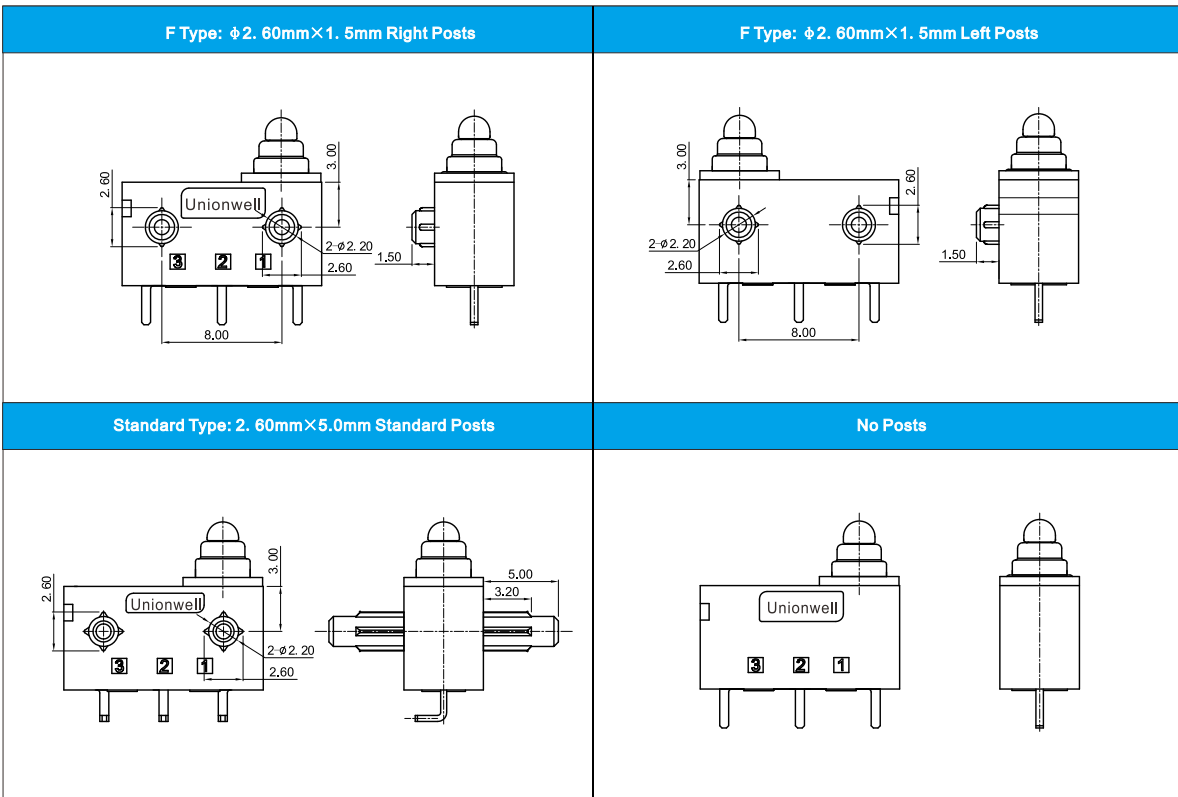
■ **Switch Terminals Type (Can be customized)**



■ Switch Terminals Type (Can be customized)

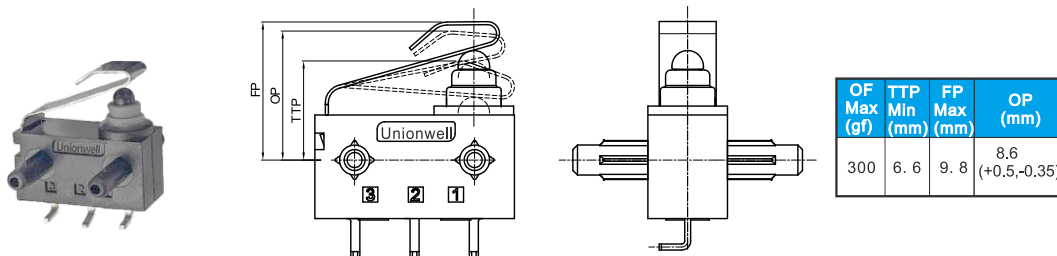


■ Posts Type



■ Dimensions and Operating Characteristics

◆ G304-150W26D46



◆ G304-150P00D36G

